

Kidde ECS Fire Suppression System Component Description



Effective: June 2014

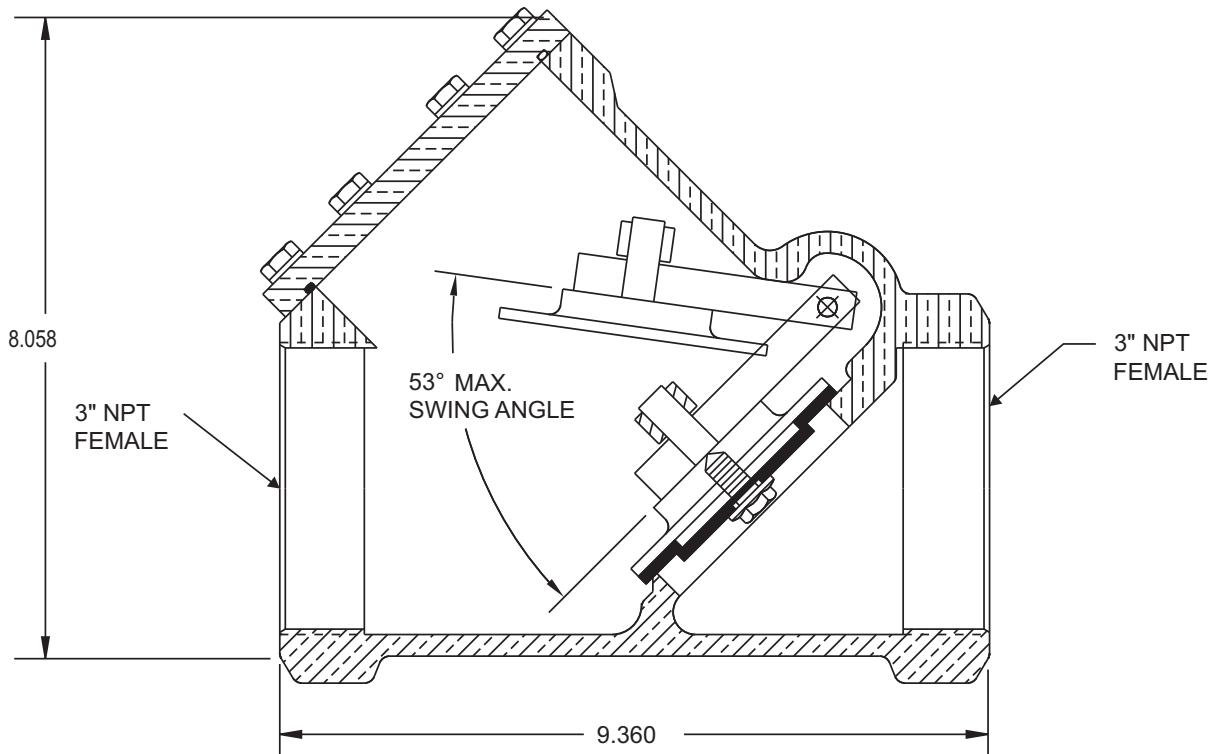
K-90-9040 Rev BA

3-Inch Swing Check Valve

FEATURES

- For Use with UL Listed, ULC Listed and FM Approved Systems
- RoHS Compliant

P/N: 06-118058-001



Note: The valve must be installed with the arrow pointing in the direction of flow.

MATERIALS

- Valve Body and Cover: Brass
- Hex Bolts, Hinge and Hinge Pin: Stainless Steel

COMPATIBILITY

Series	For Use With
Kidde ECS HFC-227ea	X
Kidde ECS Advanced Delivery FM-200®	X

This literature is provided for informational purposes only. KIDDE-FENWAL, INC. assumes no responsibility for the product's suitability for a particular application. The product must be properly applied to work correctly. If you need more information on this product, or if you have a particular problem or question, contact KIDDE-FENWAL, Inc.

FM-200 is a registered trademark of E.I. du Pont de Nemours and Company. Kidde is a registered trademark of Kidde-Fenwal Inc. All other trademarks are the property of their respective owners.